

Yolico

Yolico



YD101 Series
for general purpose

*Detailed Work Makes Quality
Our Quality Equals Perfection*




TAIWAN YOLICO ELECTRIC CO., LTD.

No.5, Ln.438, Xintai Rd., Xinzhuang Dist., New Taipei City Taiwan

TEL: +886-2-82005898 · FAX: +886-2-29963050

www.yolico.com.tw · E-mail: info@yolico.com.tw



ISO9001 

YD101 Description

Product Features

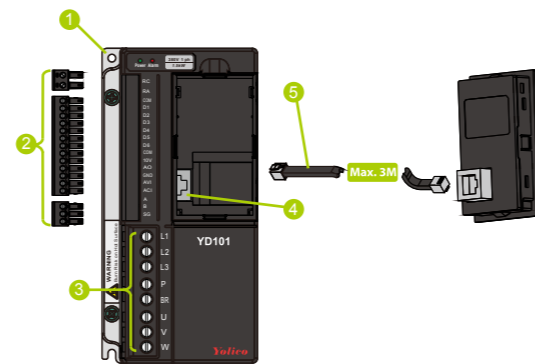
- IP20 Enclosure
- V/F & VVT Control
- 32 bits CPU
- Pluggable Operator
- Frequency Output 0.1~650Hz
- Carrier Frequency 1~15KHz
- Pulse Train Input 0~32KHz
- PID Control
- Modbus RS485 Built-in
- Braking Transistor Built-in

Model Number

YD : Yolico Inverter	Motor Rating	Supply Voltage	Inverter Version
101 : Series	00P4 = 0.4kW 00P7 = 0.7kW 01P5 = 1.5kW 0015 = 15kW 18P5 = 18.5kW 0022 = 22kW	T2S : 220V 1Phase T2 : 220V 1/3Phase T4 : 380V 3 Phase	Blank : Standard A1 : Customization B2 : Customization ...

Technical Data

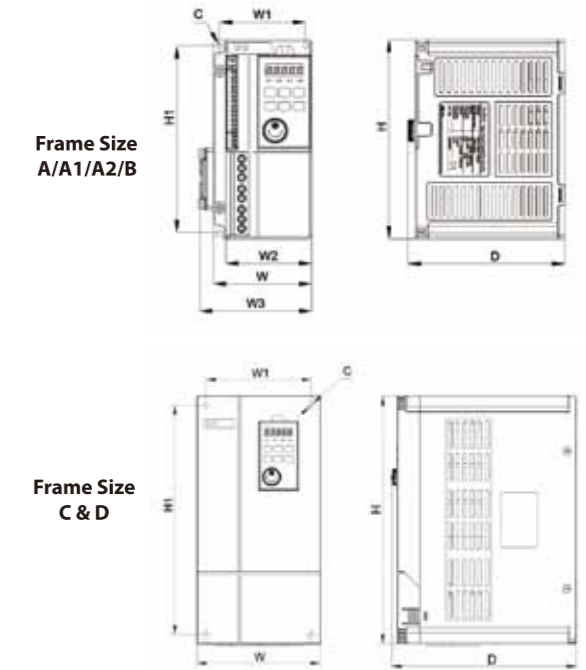
Mains connection	
Voltage	single phase, 200~240V +10 / -15% three phase, 380~480 +10 / -15%
Power range	0.4~2.2kW 200V / 0.75~22kW 400V
Frequency	48~63Hz
Motor connection	
Voltage	3 phase, 0 ~ input voltage
Frequency	0~400Hz (VF) / 0~200Hz (VVT)
Overload capacity	150% at 60s, 180% at 3s
Motor control method	VF / VVT
Control connections	
Two analog inputs	
One voltage signal	0~10V, 20K Ω
Current signal	4~20mA, 250 Ω
Voltage signal supply	10V
Six digital inputs	24V DC with internal supply, NPN
Pulse train input	0~32KHz, D6 only
Two relay outputs	(Frame 1 with one relay output only)
Switching voltage and maximum current	250 V AC 2A or 30V DC 1A max.
PHC output	48 V DC, 50mA from 7.5kW and above
Application parameters	
Motor nominal frequency	50 / 60Hz
Maximum frequency	0~650Hz (VF) / 0~200Hz (VVT)
Relay output	Fault / Run
Load type	VT / CT application
Carrier frequency	1~15KHz (programmable)
Environmental limits	
Degree of protection	IP20
Ambient temperature	-10°C +50°C
Relative humidity	Lower than 90% (without condensation)



- 1 Aluminum Heat Sink
- 2 Control I/O Terminal
- 3 Power I/O Terminal
- 4 Pluggable RJ-45 Connector
- 5 Removable Operator Cable

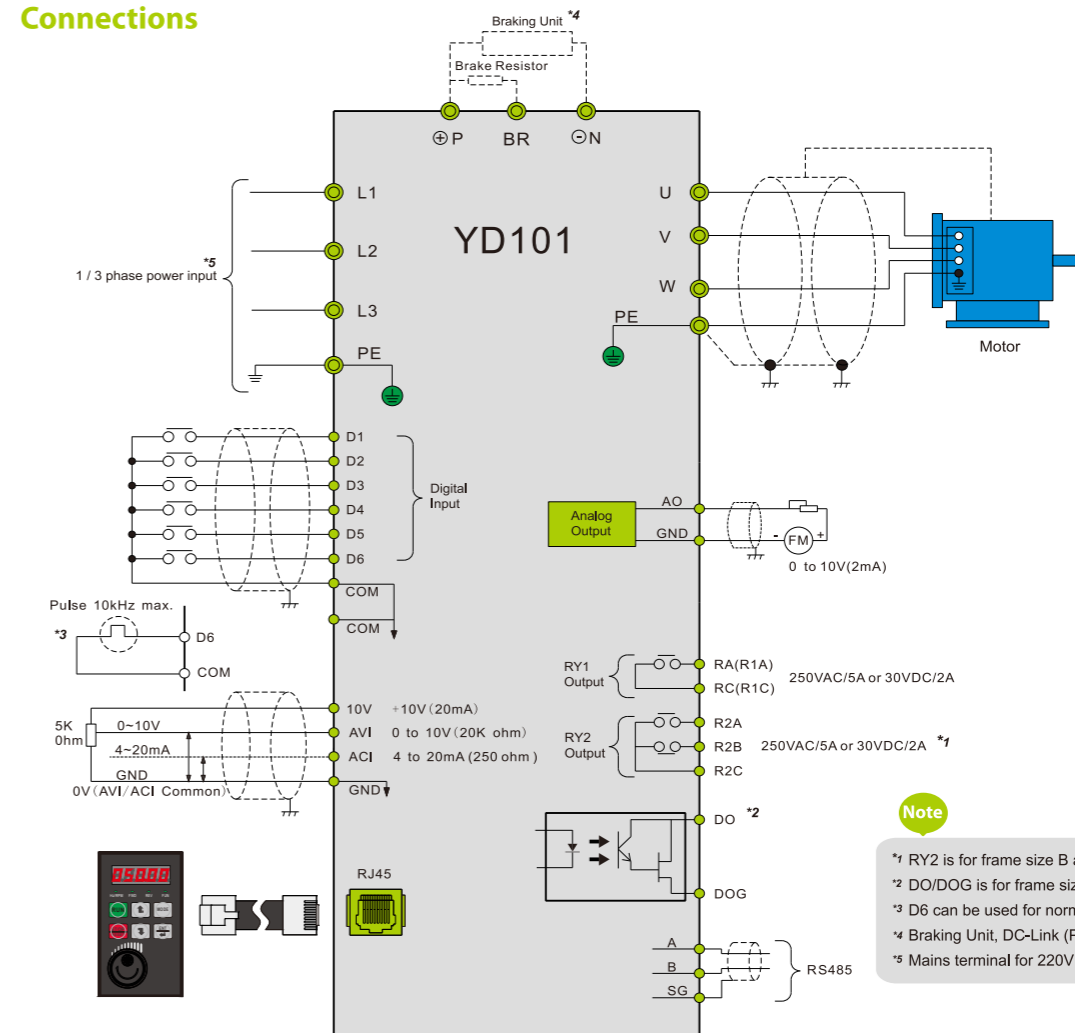
Types & Dimension

Supply Voltage	Model	Power (kW)	Rated Output Current (A)	Frame Size
1 x 200~240V	YD101-00P4-T2S	0.4	3.1	A
	YD101-00P7-T2S	0.75	4.5	A
	YD101-01P5-T2S	1.5	7.5	A1
	YD101-02P2-T2S	2.2	10.5	A2
3 x 380~480V	YD101-00P7-T4	0.75	2.3	A
	YD101-01P5-T4	1.5	3.8	A1
	YD101-02P2-T4	2.2	5.2	A2
	YD101-0003-T4	3	7.2	A2
	YD101-0004-T4	4	9	B
	YD101-05P5-T4	5.5	13	B
	YD101-07P5-T4	7.5	17.5	C
	YD101-0011-T4	11	25	C
	YD101-0015-T4	15	32	D
	YD101-18P5-T4	18.5	40	D
YD101-0022-T4	22	45	D	



Frame size	Height		Width				Depth	Screw thread size
	mm	H	H1	W	W1	W2		
A	160	150	79	69	69		126	ø4
A1	160	150	79	69	69	93	126	ø4
A2	160	150	79	69	69	100	126	ø4
B	210	200	100	86.5	85	100	160	ø5
C	270	250	135	115			200	ø5
D	300	281	155	136			220	ø6

Connections



- Note**
- *1 RY2 is for frame size B and above
 - *2 DO/DOG is for frame size C and above
 - *3 D6 can be used for normal digital input or pulse input
 - *4 Braking Unit, DC-Link (P+ & N-) is for frame size C and above
 - *5 Mains terminal for 220V single phase input is labeled L1 & L2